



VLIER
80 YEARS OF INNOVATION

Insist on Vlier

**Vast Product Selection. Versatile Applications.
Superior Value and Performance.**

**Less Vibration.
Less Noise.
More Control.**

Leveling Devices for Shock and Vibration Protection



The level mount swivel (LMS) anti-vibration leveler is a precision, frequency-tuned, swivel-style leveling device that provides shock attenuation and low-frequency vibration isolation for sensitive equipment.

Designed alongside Hutchinson Aerospace & Industry, Inc., (formerly Barry Controls) in the late 1990s under a new product development initiative program, the LMS anti-vibration leveler has proven time and again to be a reliable leveling device that our customers have depended on for more than 20 years.

Key Features:

- ▶ Molded rubber to metal base for permanent bond
- ▶ Three inch radial ring pad
- ▶ 10-20 Hz natural frequency
- ▶ Operating temperature -20°F to 180°F (-30°C to 82°C)
- ▶ Transmissibility at resonance 8:1
- ▶ Corrosion-resistant steel



Typical Uses:

- ▶ Data storage equipment
- ▶ Large medical equipment
- ▶ Industrial workstations
- ▶ Sensitive electronic manufacturing equipment
- ▶ Sensitive industrial machines
- ▶ Semiconductor equipment
- ▶ High-precision equipment

Benefits:

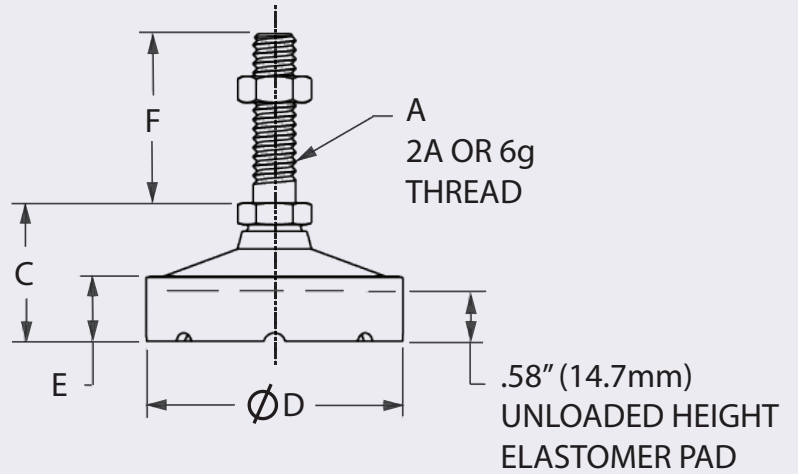
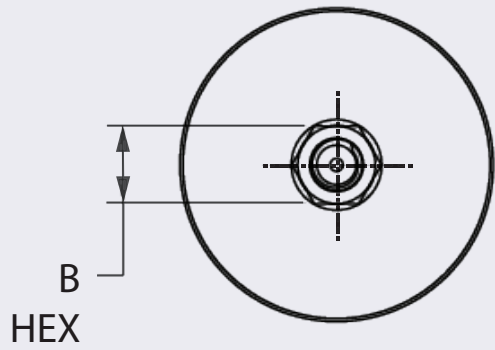
- ▶ Premium vibration control
- ▶ Shock attenuation
- ▶ Noise reduction
- ▶ Increases machinery performance
- ▶ Extends machinery life
- ▶ Uniform radial stiffness
- ▶ Low frequency isolation

Vlier Products,

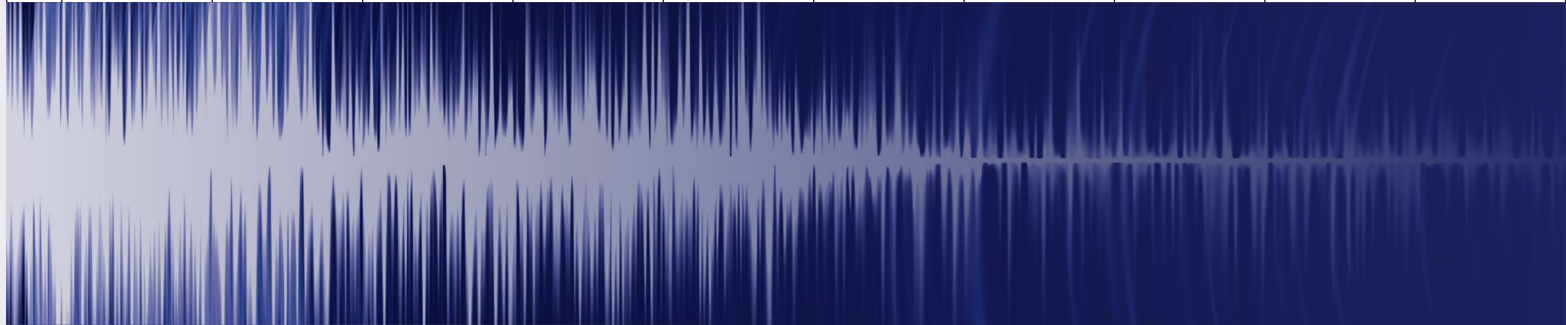
a unit of Hutchinson Aerospace & Industry
1.800.821.1090 | vlier@vlier.com | vlier.com

**ISO 9001 Certified
AS9100 Certified
Cage Code 01226**

Vlier LMS Anti-Vibration Levelers



ANSI (Inch/American) Tables	Part No.	Max Load (Lbs.)	Max Deflection	A	B	C	D	E	F	ROHS
	LMS-12042	100-400	0.1	1/2-13	0.75	1.63	3	0.77	2	✓
	LMS-12044	100-400	0.1	1/2-13	0.75	1.63	3	0.77	4	✓
	LMS-12082	200-800	0.1	1/2-13	0.75	1.63	3	0.77	2	✓
	LMS-12084	200-800	0.1	1/2-13	0.75	1.63	3	0.77	4	✓
	LMS-12122	400-1200	0.1	1/2-13	0.75	1.63	3	0.77	2	✓
	LMS-12124	400-1200	0.1	1/2-13	0.75	1.63	3	0.77	4	✓



Metric Tables	Part No.	Max Load (Lbs.)	Max Deflection	A	B	C	D	E	F	ROHS
	LMS-M112042	100-400	2.5	M12 x 1.75	19	41	76	19.6	51	✓
	LMS-M112044	100-400	2.5	M12 x 1.75	19	41	76	19.6	84	✓
	LMS-M112082	200-800	2.5	M12 x 1.75	19	41	76	19.6	51	✓
	LMS-M112084	200-800	2.5	M12 x 1.75	19	41	76	19.6	84	✓
	LMS-M112122	400-1200	2.5	M12 x 1.75	19	41	76	19.6	51	✓
	LMS-M112124	400-1200	2.5	M12 x 1.75	19	41	76	19.6	84	✓

Call your authorized Vlier distributor or contact us at 1.800.821.1090 or vlier@vlier.com.