



HIGH-VALUE SERIES LEVELERS



Introducing NEW LOW COST levelers



- **Lowest Price**
- **Best Quality**
- **Great Selection**

VLIER NEW PRODUCT VLIER NEW PRODUCT VLIER NEW PRODUCT VLIER
THE INDUSTRY STANDARD for more than HALF A CENTURY

Just as the VLIER name has stood for Quality, Value, Service, and Selection for more than 60 years... the VLIER Leveling devices have stood apart as a simple, highly functional product. Now VLIER has packaged that proven and trusted technology in the High-Value Series Levelers with even greater selection. We now have added a NEW Steel leveler with Nickel Finish giving you the greatest selection ever.

This new line is pure Vlier design with value pricing in mind.
VLIER Leveling, putting industry on the right foot.

HIGH-SERIES SPECIAL FEATURES

Hardened ball for high load ratings and wear
Large diameter base for added support
15 degree off center swivel for quick level on sloped surfaces
Backed by VLIER and more than 60 years of engineering excellence

VLIER LEVELING, WHY NOT LEVEL WITH US

Call your Authorized VLIER dealer or contact us at 800/821-1090
 or visit us on the web at www.vlier.com





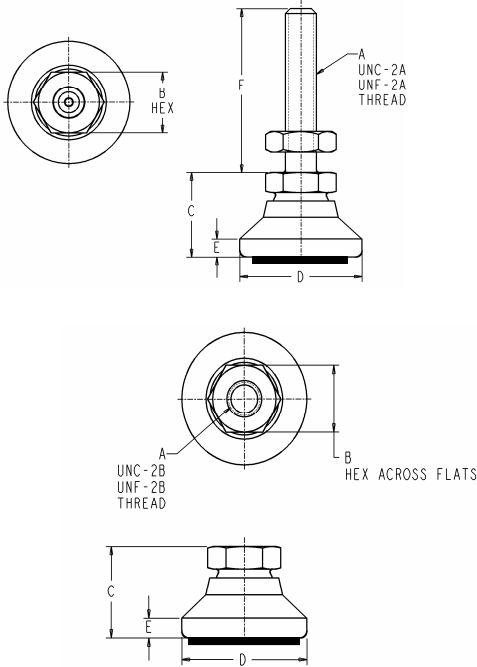
Visit www.vlier.com

HIGH-VALUE SERIES

NEW PART NUMBERS, SPECS

With Non-Skid Elastomer Pad

ADD 1/8" to E dimension



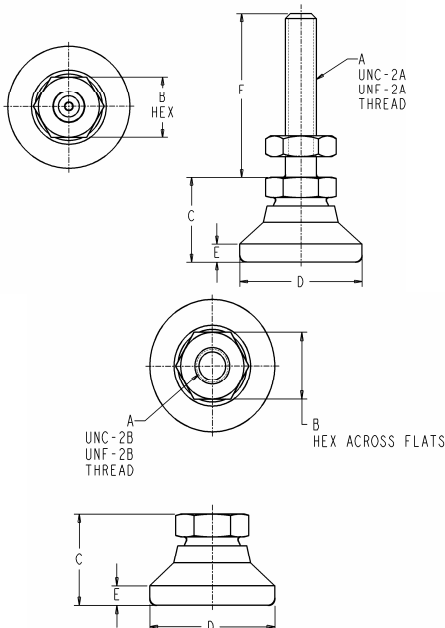
STUD SYLE	NEW			A	B	C	D	E	F
Steel Gold Chromate	Steel Nickel Finish	Stainless Steel / Passivated	MAX LOAD(LBS.)	THREAD	HEX	HEIGHT TO HEX	PAD DIAMETER		BOLT LENGT H
HVEP298S	HVEP298S3	HVESSP298S	525	10-32	3/8	17/32	3/4	7/64	1
HVEP299S	HVEP299S3	HVESSP299S	525	10-32	3/8	17/32	3/4	7/64	2
HVEP300S	HVEP300S3	HVESSP300S	800	1/4-20	1/2	45/64	1	5/32	1 1/4
HVEP301S	HVEP301S3	HVESSP301S	800	1/4-20	1/2	45/64	1	5/32	2 1/2
HVEP304S	HVEP304S3	HVESSP304S	2,800	3/8-16	5/8	7/8	1 1/4	3/16	2
HVEP305S	HVEP305S3	HVESSP305S	2,800	3/8-16	5/8	7/8	1 1/4	3/16	4
HVEP306S	HVEP306S3	HVESSP306S	3,750	1/2-13	3/4	1 1/8	1 7/8	1/4	2
HVEP307S	HVEP307S3	HVESSP307S	3,750	1/2-13	3/4	1 1/8	1 7/8	1/4	4
HVEP308S	HVEP308S3	HVESSP308S	4,500	5/8-11	7/8	1 1/4	2 1/2	5/16	2
HVEP309S	HVEP309S3	HVESSP309S	4,500	5/8-11	7/8	1 1/4	2 1/2	5/16	4
HVEP310S	HVEP310S3	HVESSP310S	5,400	3/4-10	1 1/16	1 1/2	3	1/2	2
HVEP311S	HVEP311S3	HVESSP311S	5,400	3/4-10	1 1/16	1 1/2	3	1/2	4
HVEP312S	HVEP312S3	HVESSP312S	16,400	1-8	1 3/8	1 7/8	4	13/32	4 1/4
HVEP313S	HVEP313S3	HVESSP313S	16,400	1-8	1 3/8	1 7/8	4	13/32	8
Socket Style	NEW			A	B	C	D	E	F
Steel Gold Chromate	Steel Nickel Finish	Stainless Steel / Passivated	MAX LOAD(LBS.)	THREAD	HEX	HEIGHT TO HEX	PAD DIAMETER		BOLT LENGT H
HVEP298B	HVEP298B3	HVESSP298B	525	10-32	3/8	17/32	3/4	7/64	1
HVEP300B	HVEP300B3	HVESSP300B	800	1/4-20	1/2	45/64	1	5/32	2
HVEP304B	HVEP304B3	HVESSP304B	2,800	3/8-16	5/8	7/8	1 1/4	3/16	2
HVEP306B	HVEP306B3	HVESSP306B	3,750	1/2-13	3/4	1 1/8	1 7/8	1/4	2
HVEP308B	HVEP308B3	HVESSP308B	4,500	5/8-11	7/8	1 1/4	2 1/2	5/16	2
HVEP310B	HVEP310B3	HVESSP310B	5,400	3/4-10	1 1/16	1 1/2	3	1/2	2
HVEP312B	HVEP312B3	HVESSP312B	16,400	1-8	1 3/8	1 7/8	4	13/32	4 1/4

Stainless Steel Finish – passivated natural finish

Steel Finish – zinc plate with gold or nickel chromate

VLIER NEW PRODUCT VLIER NEW PRODUCT VLIER NEW PRODUCT VLIER

With Out Elastomer Pad



STUD SYLE	NEW			A	B	C	D	E	F
Steel Gold Chromate	Steel Nickel Finish	Stainless Steel / Passivated	MAX LOAD(LBS.)	THREAD	HEX	HEIGHT TO HEX	PAD DIAMETER		BOLT LENGT H
HVP298S	HVP298S3	HVSSP298S	700	10-32	3/8	17/32	3/4	7/64	1
HVP299S	HVP299S3	HVSSP299S	700	10-32	3/8	17/32	3/4	7/64	2
HVP300S	HVP300S3	HVSSP300S	1,100	1/4-20	1/2	45/64	1	5/32	1 1/4
HVP301S	HVP301S3	HVSSP301S	1,100	1/4-20	1/2	45/64	1	5/32	2 1/2
HVP304S	HVP304S3	HVSSP304S	3,750	3/8-16	5/8	7/8	1 1/4	3/16	2
HVP305S	HVP305S3	HVSSP305S	3,750	3/8-16	5/8	7/8	1 1/4	3/16	4
HVP306S	HVP306S3	HVSSP306S	5,000	1/2-13	3/4	1 1/8	1 7/8	1/4	2
HVP307S	HVP307S3	HVSSP307S	5,000	1/2-13	3/4	1 1/8	1 7/8	1/4	4
HVP308S	HVP308S3	HVSSP308S	6,000	5/8-11	7/8	1 1/4	2 1/2	5/16	2
HVP309S	HVP309S3	HVSSP309S	6,000	5/8-11	7/8	1 1/4	2 1/2	5/16	4
HVP310S	HVP310S3	HVSSP310S	7,200	3/4-10	1 1/16	1 1/2	3	1/2	2
HVP311S	HVP311S3	HVSSP311S	7,200	3/4-10	1 1/16	1 1/2	3	1/2	4
HVP312S	HVP312S3	HVSSP312S	22,000	1-8	1 3/8	1 7/8	4	13/32	4 1/4
HVP313S	HVP313S3	HVSSP313S	22,000	1-8	1 3/8	1 7/8	4	13/32	8
Socket Style	NEW			A	B	C	D	E	F
Steel Gold Chromate	Steel Nickel Finish	Stainless Steel / Passivated	MAX LOAD(LBS.)	THREAD	HEX	HEIGHT TO HEX	PAD DIAMETER		BOLT LENGT H
HVP298B	HVP298B3	HVSSP298B	700	10-32	3/8	17/32	3/4	7/64	1
HVP300B	HVP300B3	HVSSP300B	1,100	1/4-20	1/2	45/64	1	5/32	2
HVP304B	HVP304B3	HVSSP304B	3,750	3/8-16	5/8	7/8	1 1/4	3/16	2
HVP306B	HVP306B3	HVSSP306B	5,000	1/2-13	3/4	1 1/8	1 7/8	1/4	2
HVP308B	HVP308B3	HVSSP308B	6,000	5/8-11	7/8	1 1/4	2 1/2	5/16	2
HVP310B	HVP310B3	HVSSP310B	7,200	3/4-10	1 1/16	1 1/2	3	1/2	2
HVP312B	HVP312B3	HVSSP312B	22,000	1-8	1 3/8	1 7/8	4	13/32	4 1/4

Stainless Steel Finish – passivated natural finish

Steel Finish – gold chromate or nickel finish

