



# Product Spotlight

## NSR & LBL

# INDUSTRIAL MOUNTS

### NSR Features

- SWIVEL STUD
  - *Adjusts for uneven surfaces*
- INTEGRAL HEX NUT
  - *Aids adjustment under load*
- POLY/RUBBER PAD
  - *Non skid & Protects floor surface*



### LBL Features

- FIXED STUD
  - *Steel & Stainless*
- INTEGRAL HEX NUT
  - *Aids adjustment under load*
- STEEL/STAINLESS PAD
  - *Lag bolt Pad design*

**VLIER VLIER VLIER VLIER VLIER VLIER VLIER VLIER VLIER VLIER VLIER VLIER**

**THE INDUSTRY STANDARD for more than HALF A CENTURY**

VLIER Levelers have been an industry standard for over 5 decades. Our new NSR, and LBL Leveling mounts are a low cost option for medium, and heavy-duty industrial applications.

The NSR has a 25 degree swivel design, with an integral hex nut at the base for height adjustments. The glass filled poly pad with rubber foot is designed to prevent skidding and creeping.

The LBL offers a choice of all steel, or all stainless steel construction with a fixed stud design. The unique pad design incorporates a lag hole for applications needing to be secured to the floor.

**Working Smarter and harder for you, VLIER has the right part for the job.**

Call your Authorized VLIER dealer or contact us at 800/821-1090  
or visit us on the web at [www.vlier.com](http://www.vlier.com)



**1943-2003**



**BARRY CONTROLS**

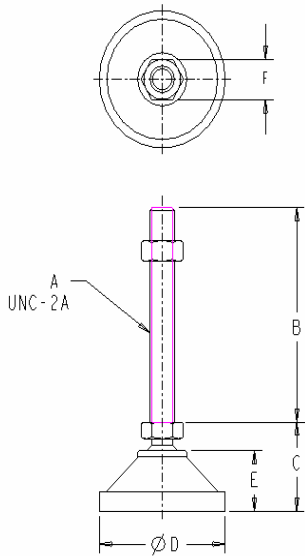


# NSR & LBL INDUSTRIAL MOUNTS



Spec - Sheet

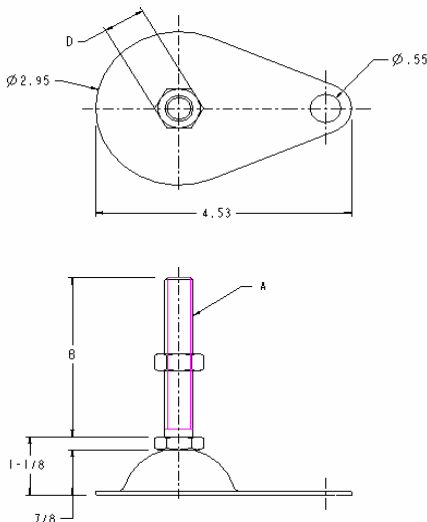
NSR with 25 degree swivel pad



PART NUMBER	LOAD RATING	A THREAD	B STUD LENGTH	C HEIGHT TO HEX	D PAD DIAMETER	E PAD HEIGHT	F HEX
NSR306S	800	1/2-13	4.00	1.39	2.08	0.93	0.750
NSR308S	1000	5/8-11	4.00	1.64	2.68	1.16	0.875

## VLIER VLIER VLIER VLIER VLIER VLIER VLIER VLIER VLIER VLIER

LBL fixed stud with lag bolt base



PART NUMBER	LOAD RATING	MATERIAL	A THREAD	B STUD LENGTH	C HEIGHT TO HEX	D HEX
LB306S	800	STEEL	1/2-13	4.00	1-1/8	0.75
LB308S	1000	STEEL	5/8-11	4.00	1-1/8	0.88
SLB306S	800	STAINLESS	1/2-13	4.00	1-1/8	0.75
SLB308S	1000	STAINLESS	5/8-11	4.00	1-1/8	0.88



1943-2003



BARRY CONTROLS